

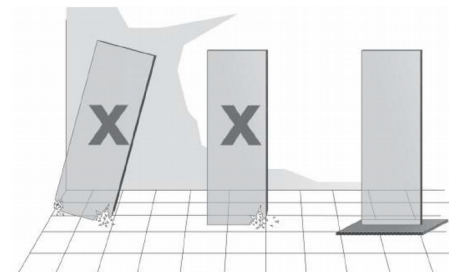
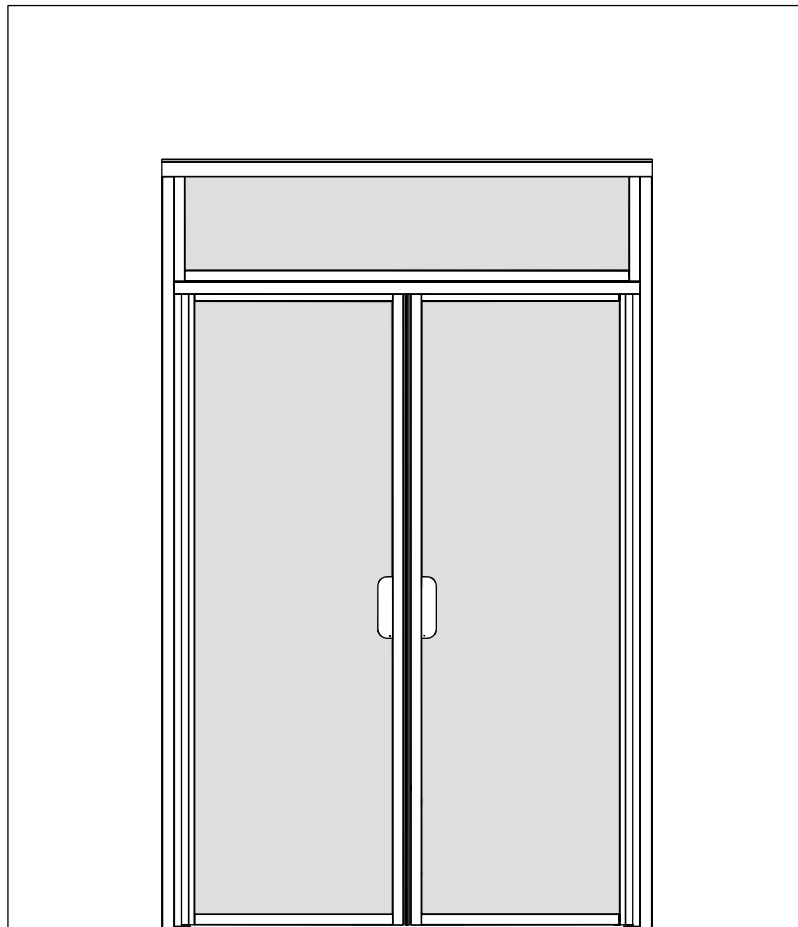


HIETAKARI®

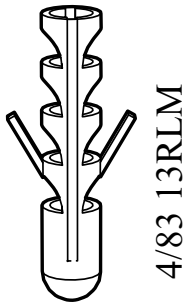


8/25 6DRLM

704/705/706/810



Parts



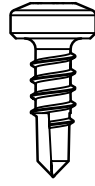
4/83 13RLM

1. 6x30 mm
x16



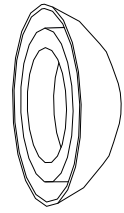
4/83 11RLM

2. 4.5x45 mm
x16



4/83 24RLM

3. 4.2x13 mm
x28



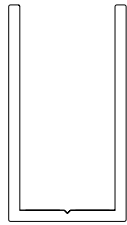
4/83 23RLM

4. x28

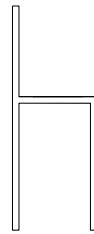


1/42 T2RLM

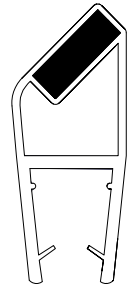
5. x2



6. x2

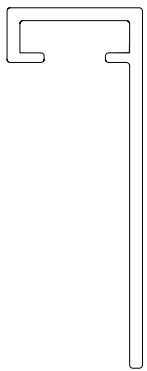


7. x2

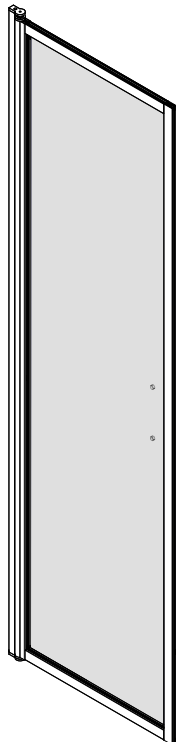


1/42 509L2

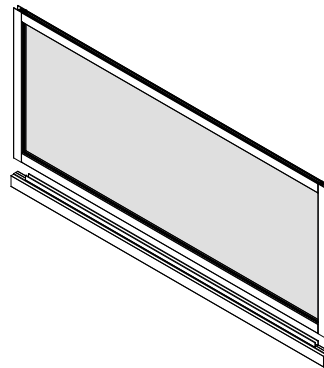
8. x2



9. x2



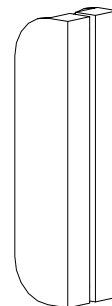
10. x2



11. x1

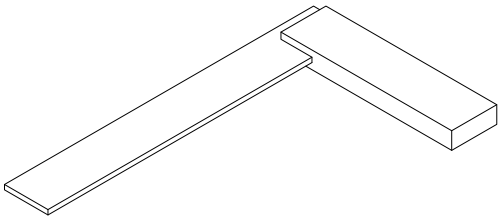


12. x2

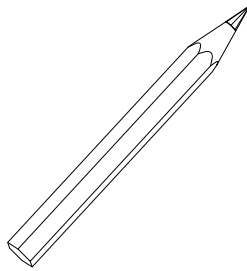


13. x2

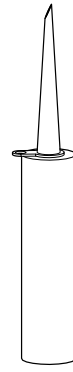
Tools



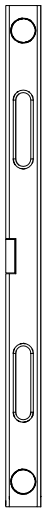
A



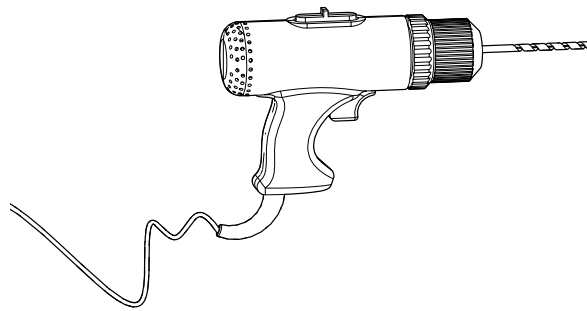
B



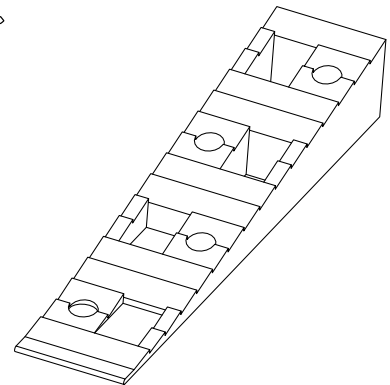
C – Glue
D – Silicone



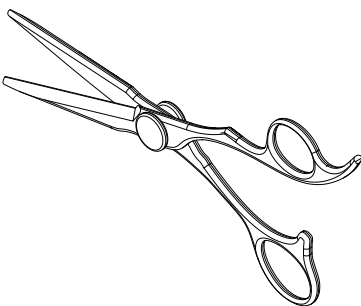
E



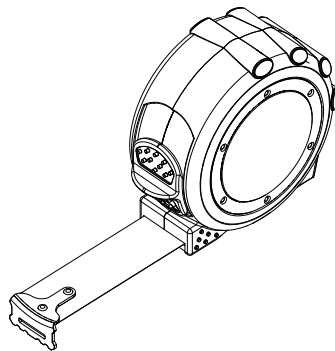
Ø6 mm
F



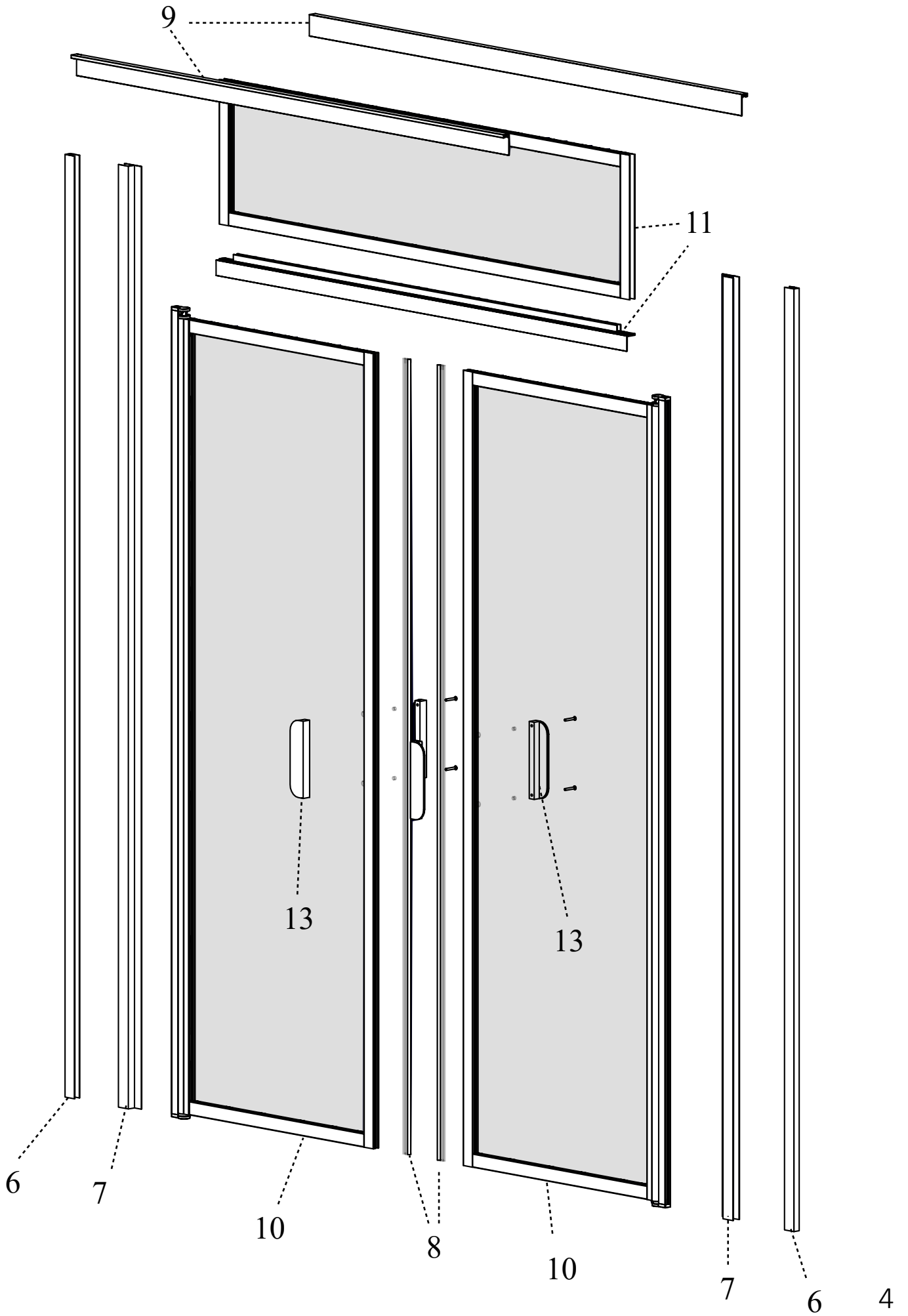
G



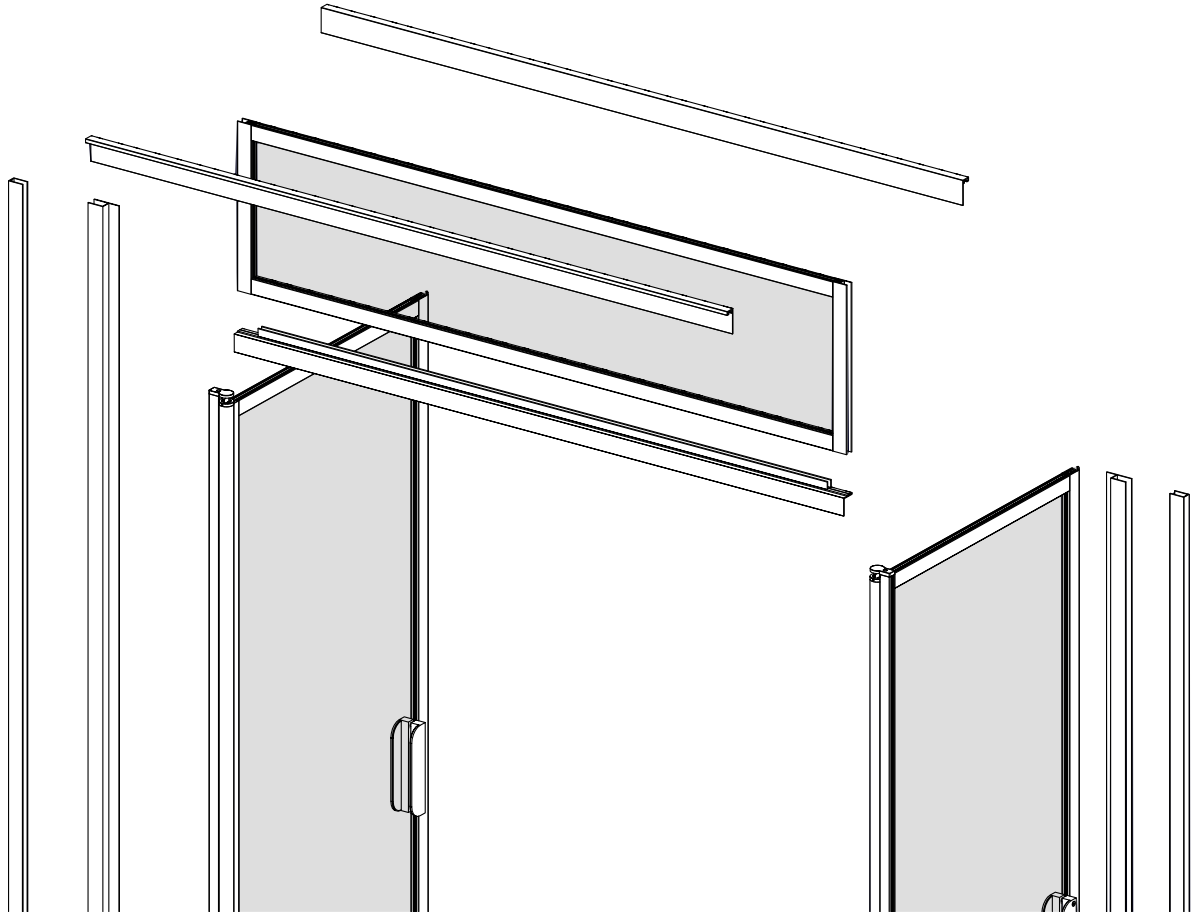
H



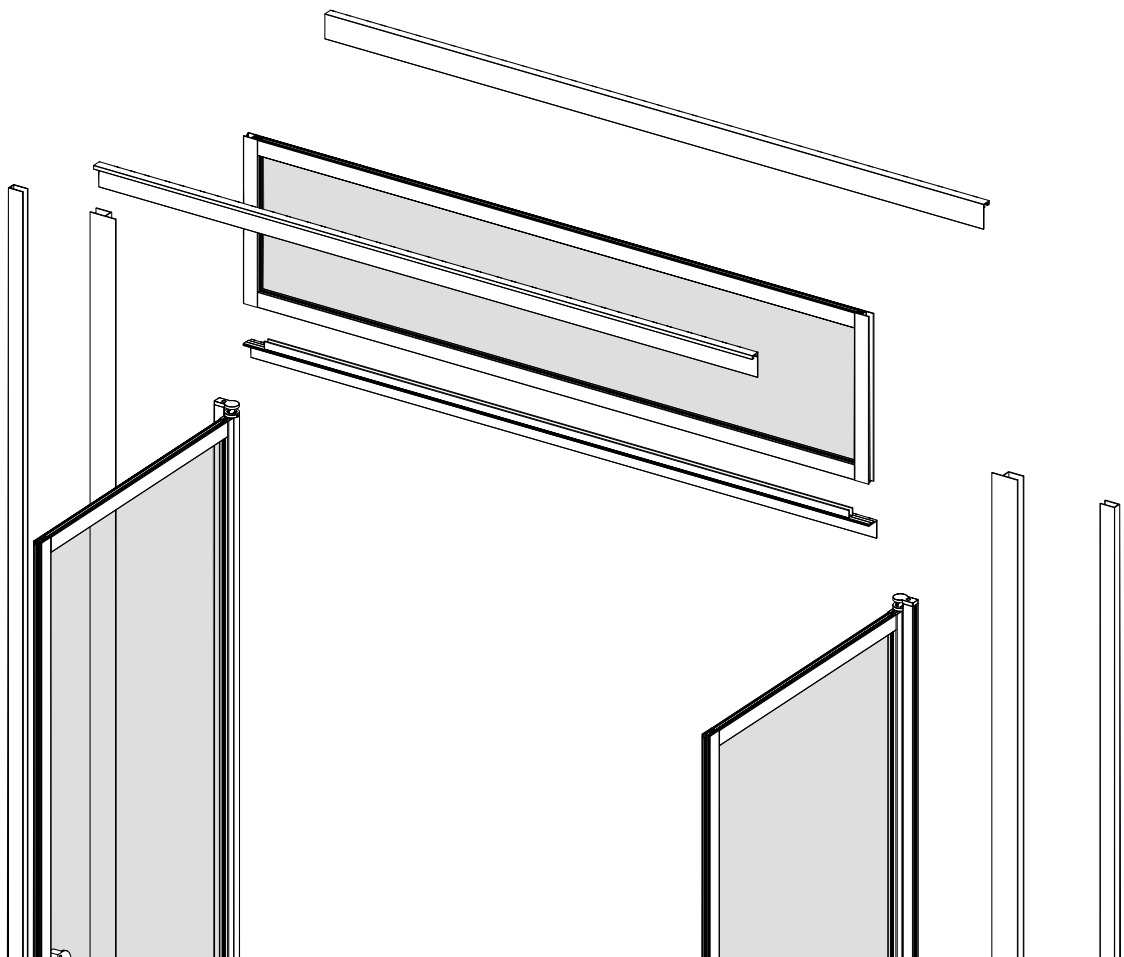
I

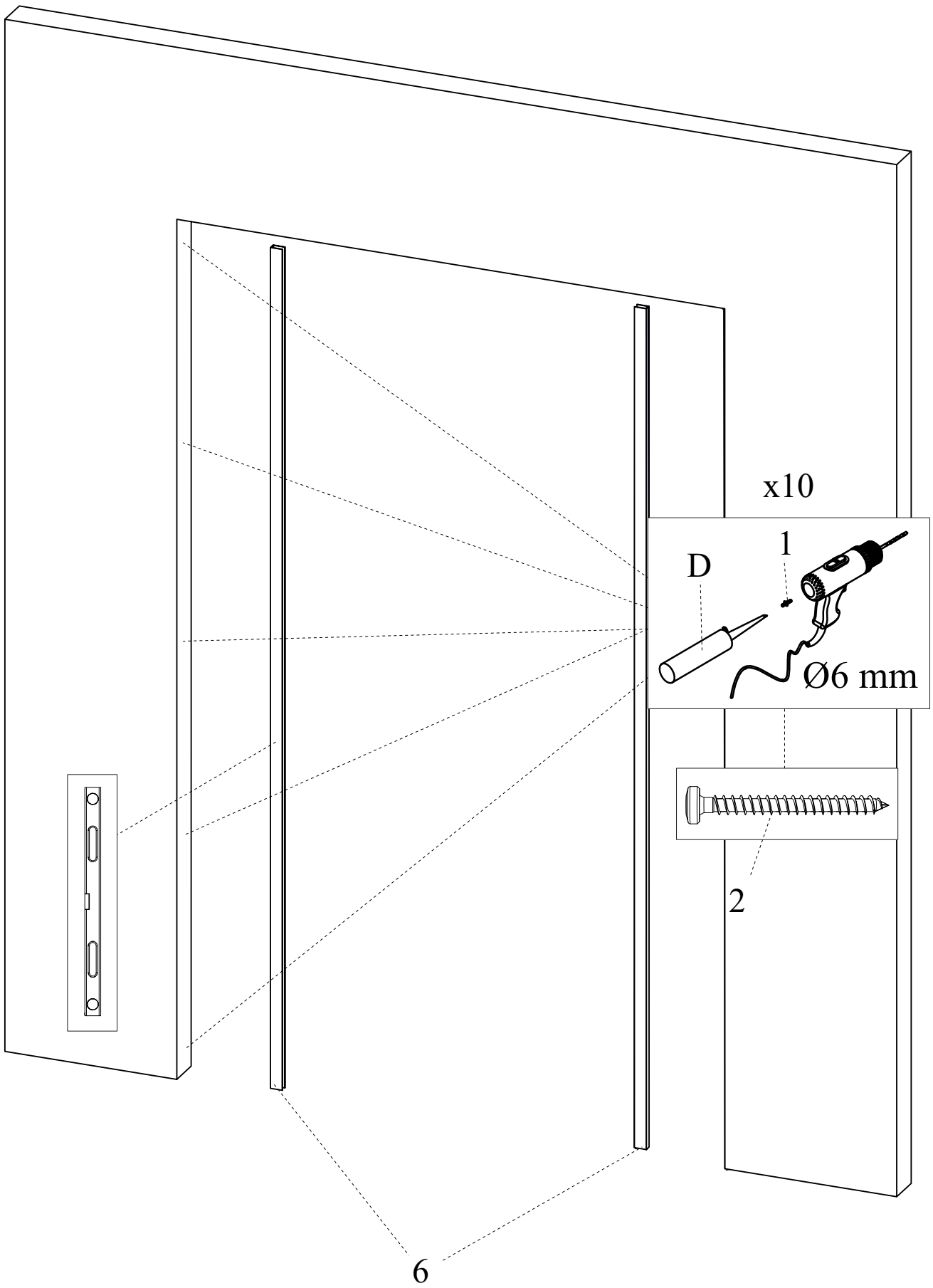


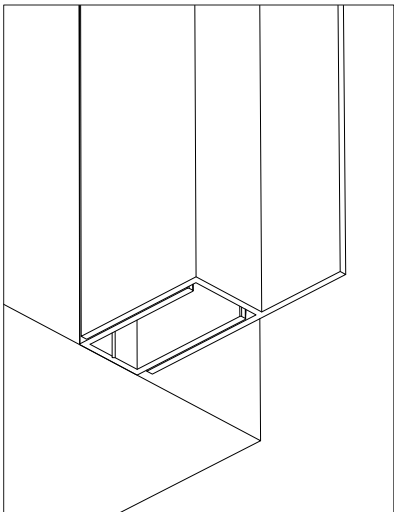
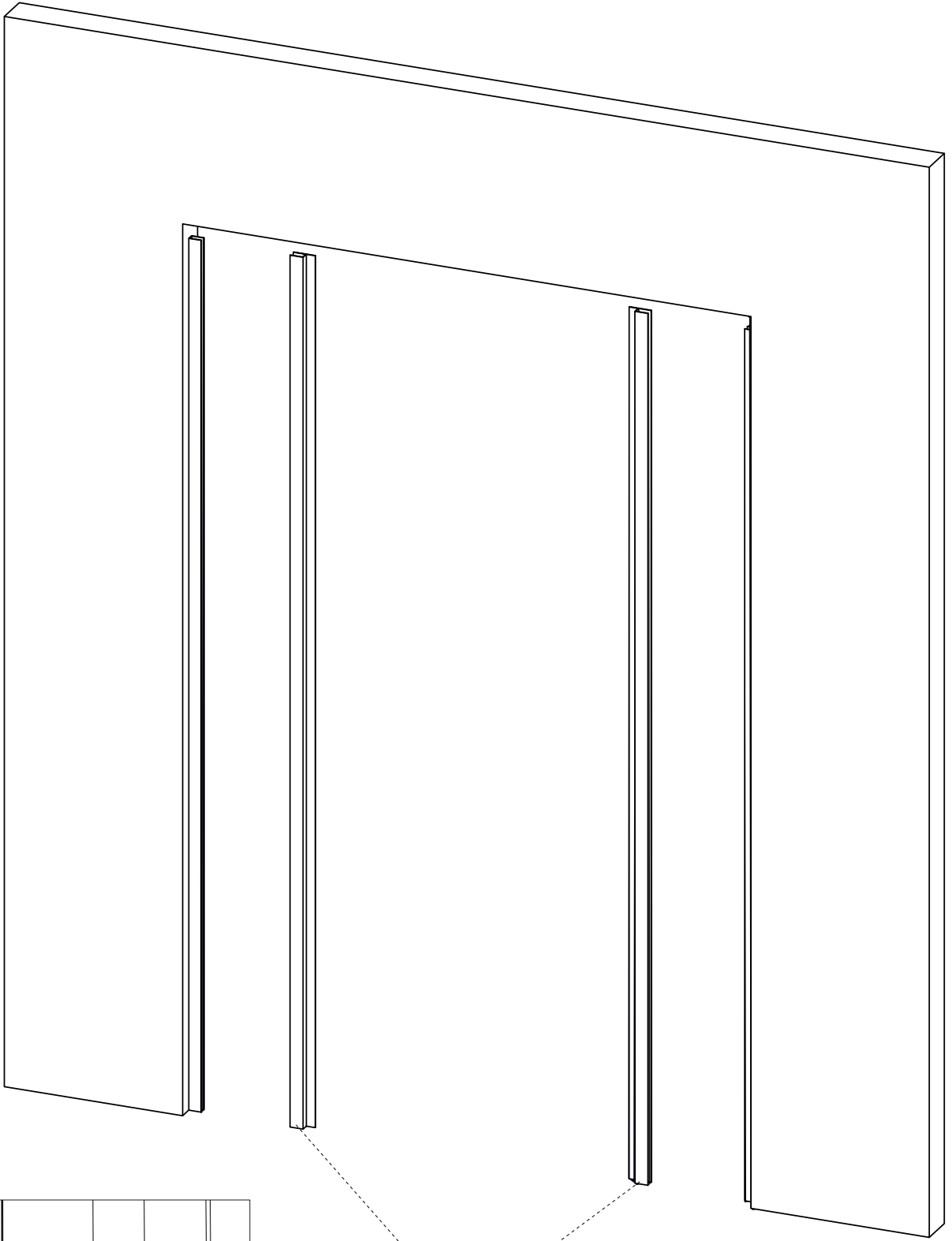
I.



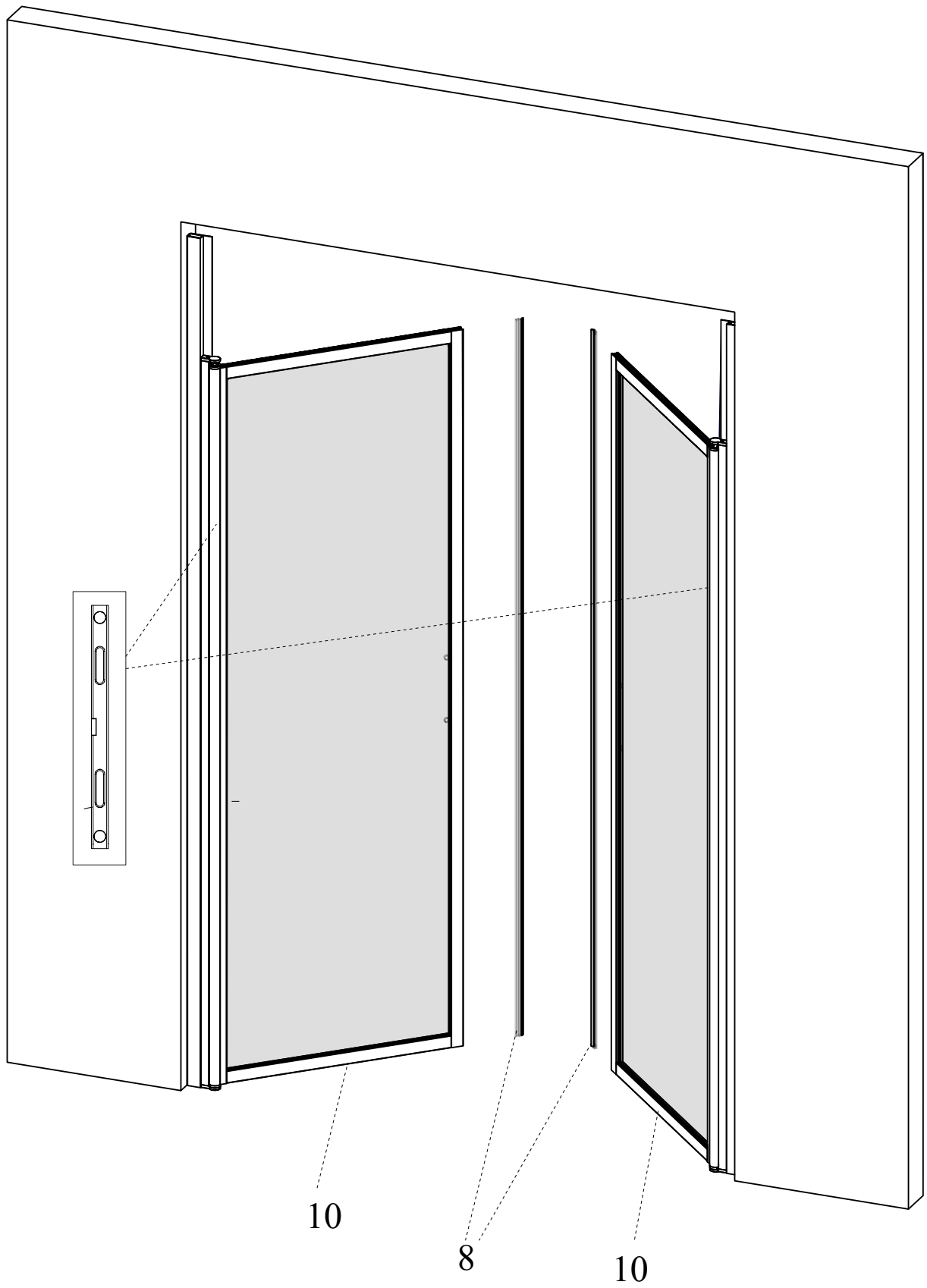
O.

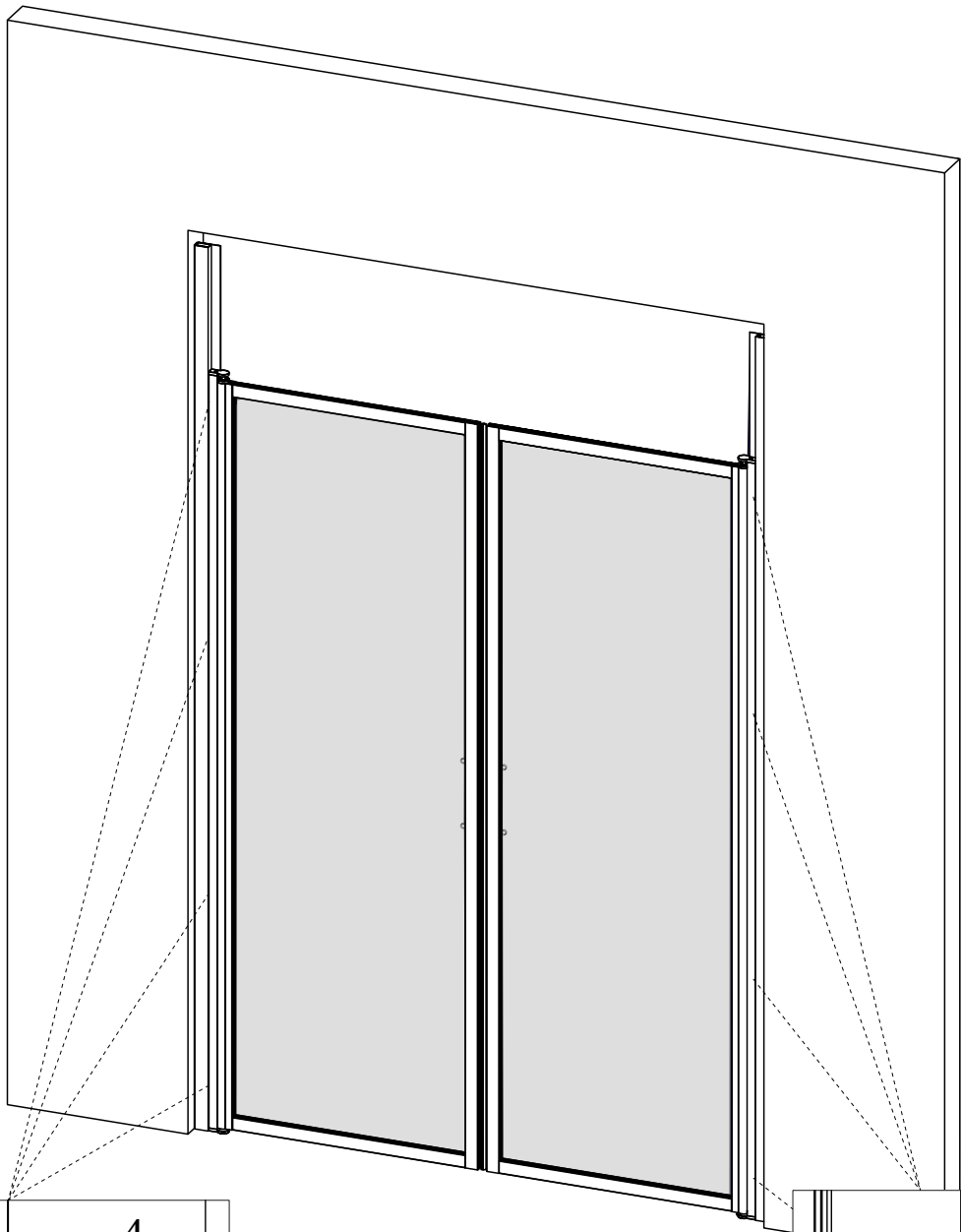






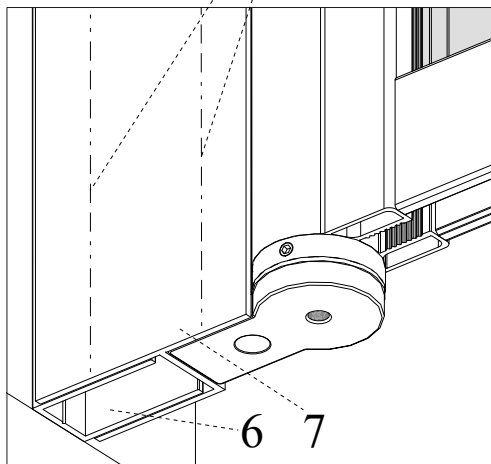
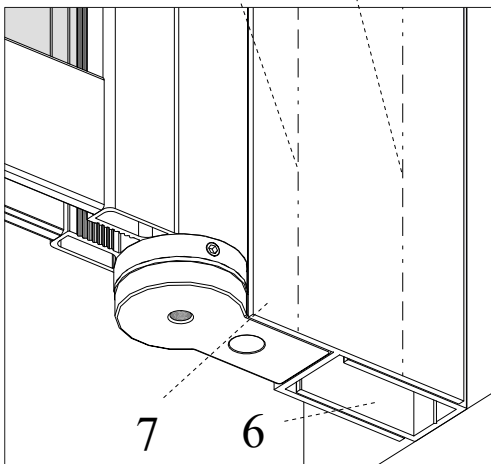
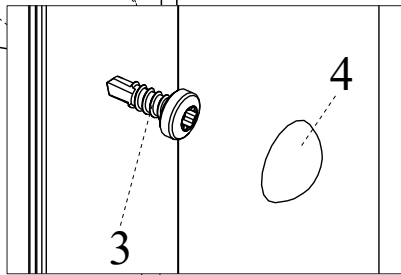
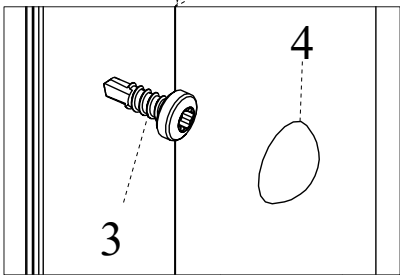
7

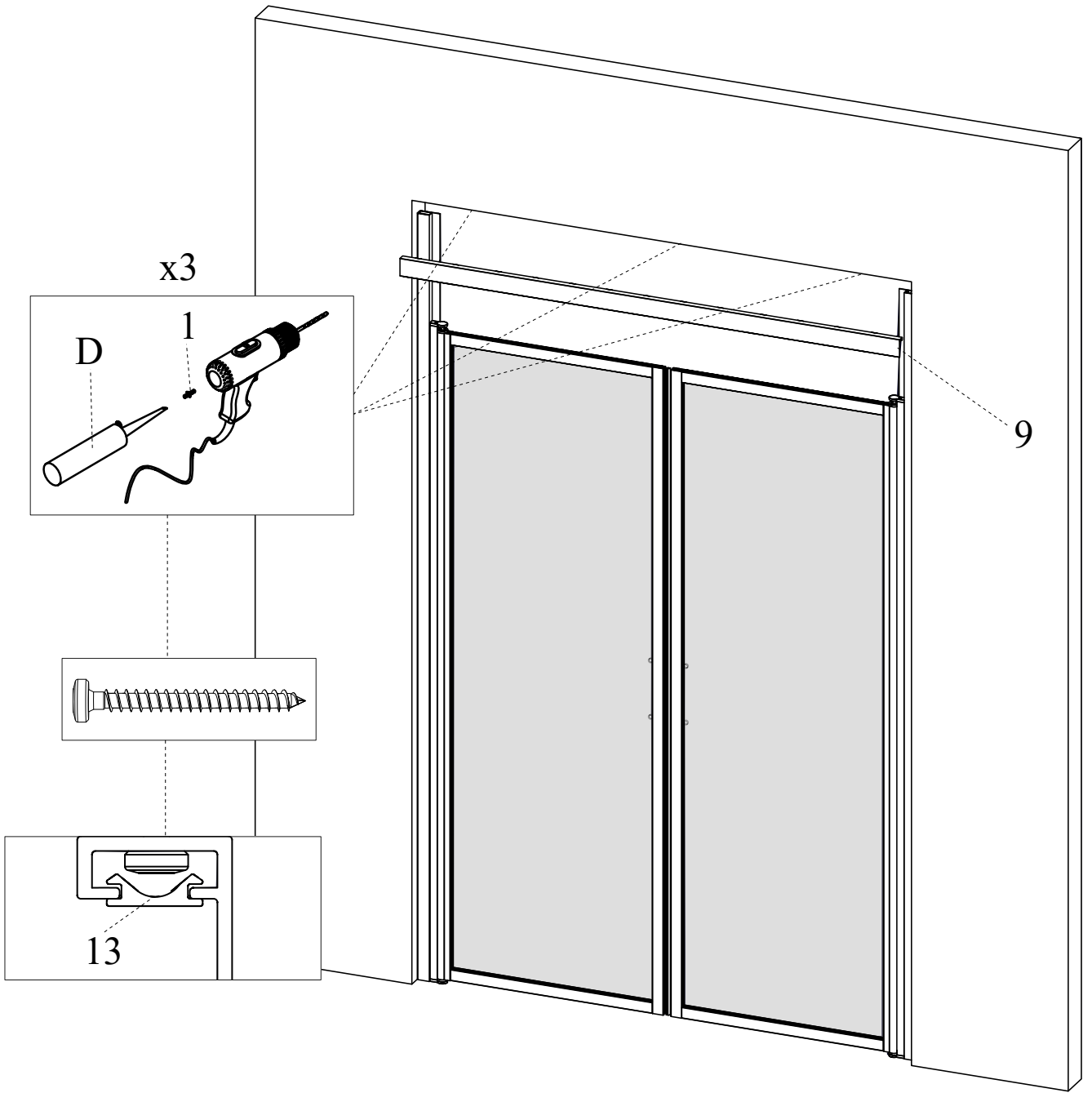




x8

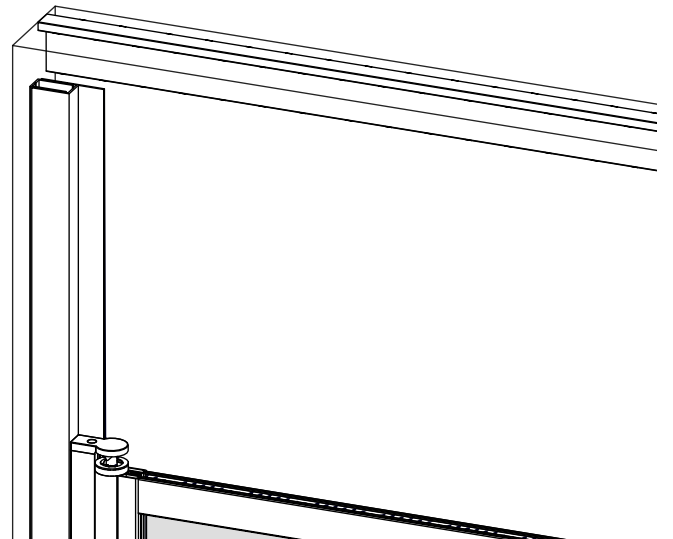
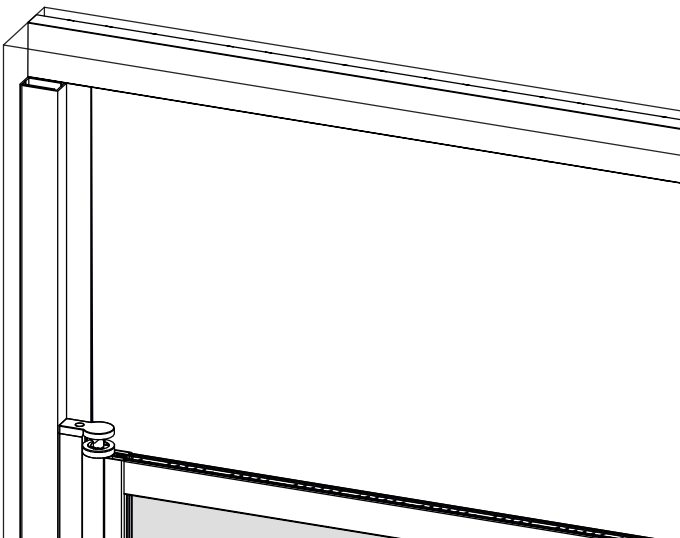
x8

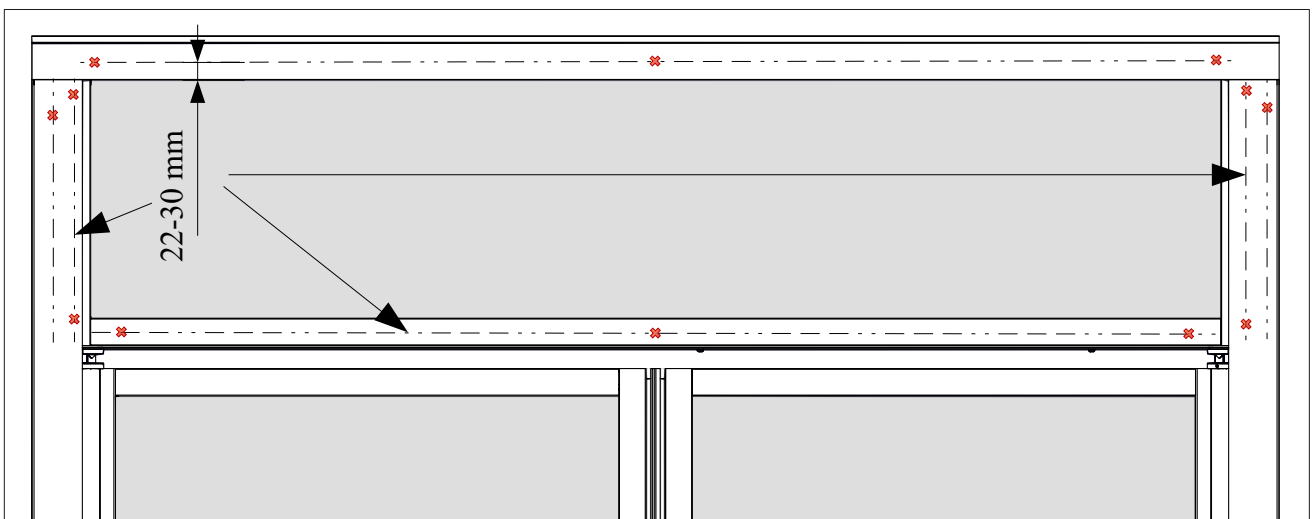
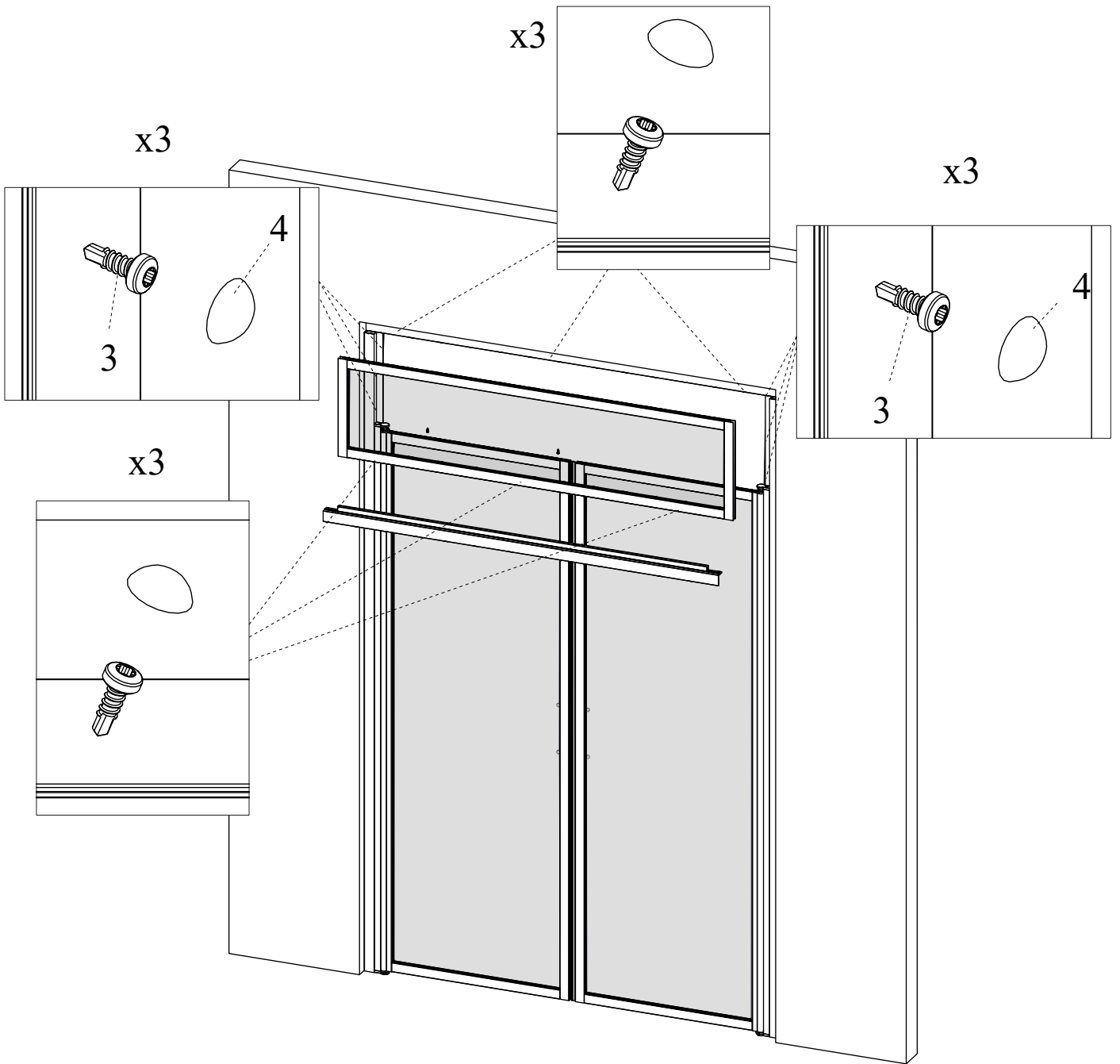


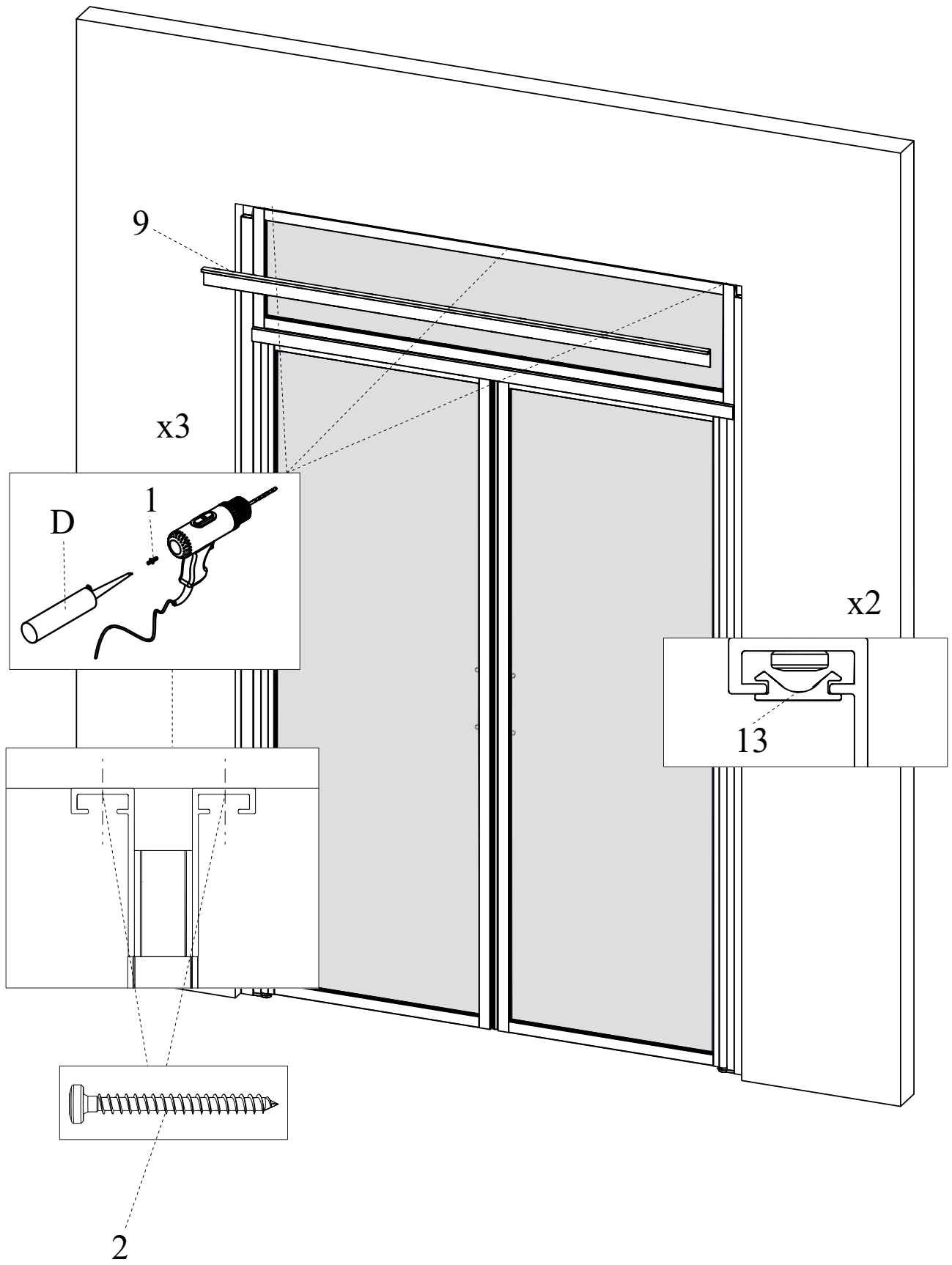


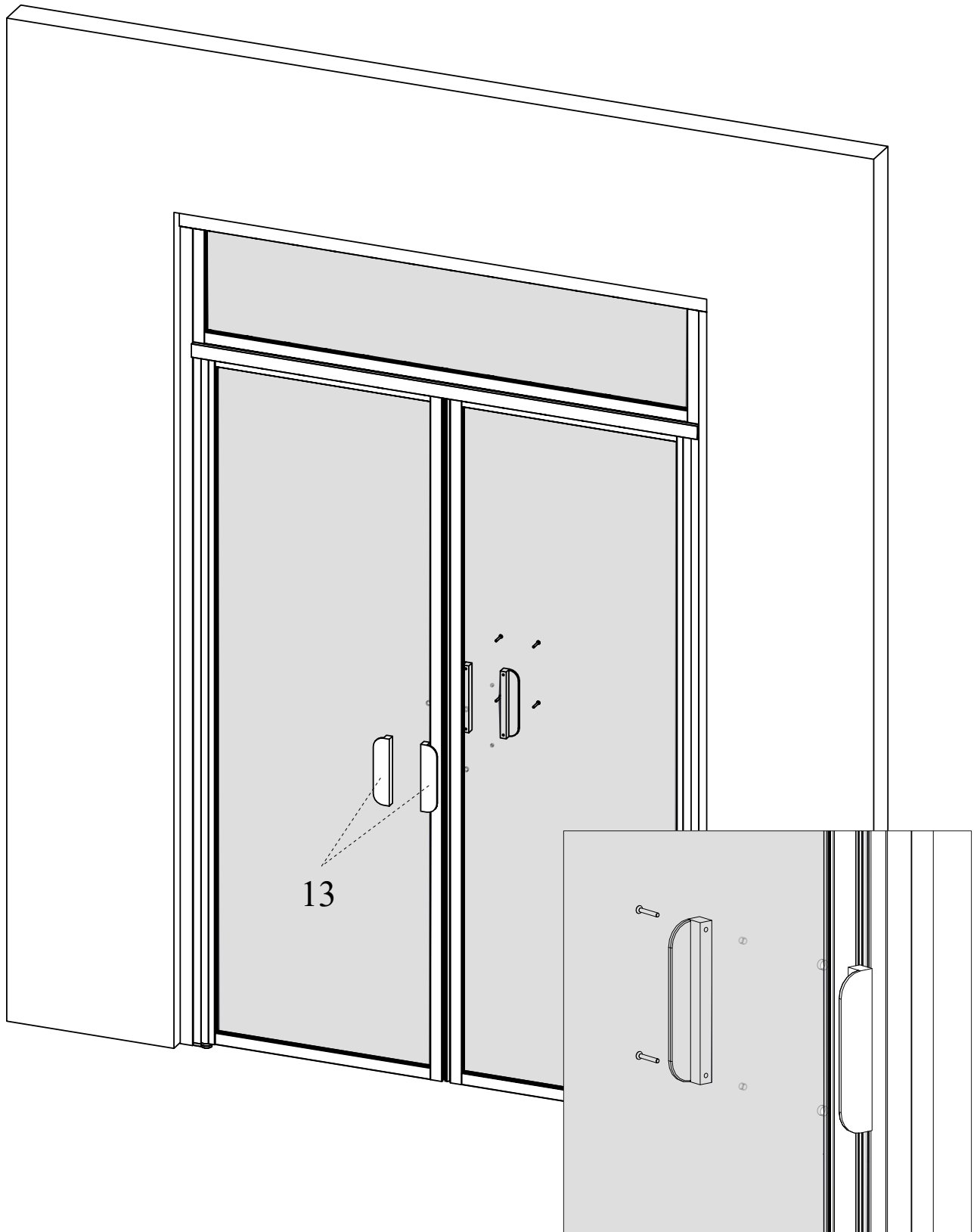
L.

R.









13